

MARTIN WILLIAMS
MW
CONCRETE PRODUCTS LTD

SPANCILHILL, TULLA RD, ENNIS, CO CLARE

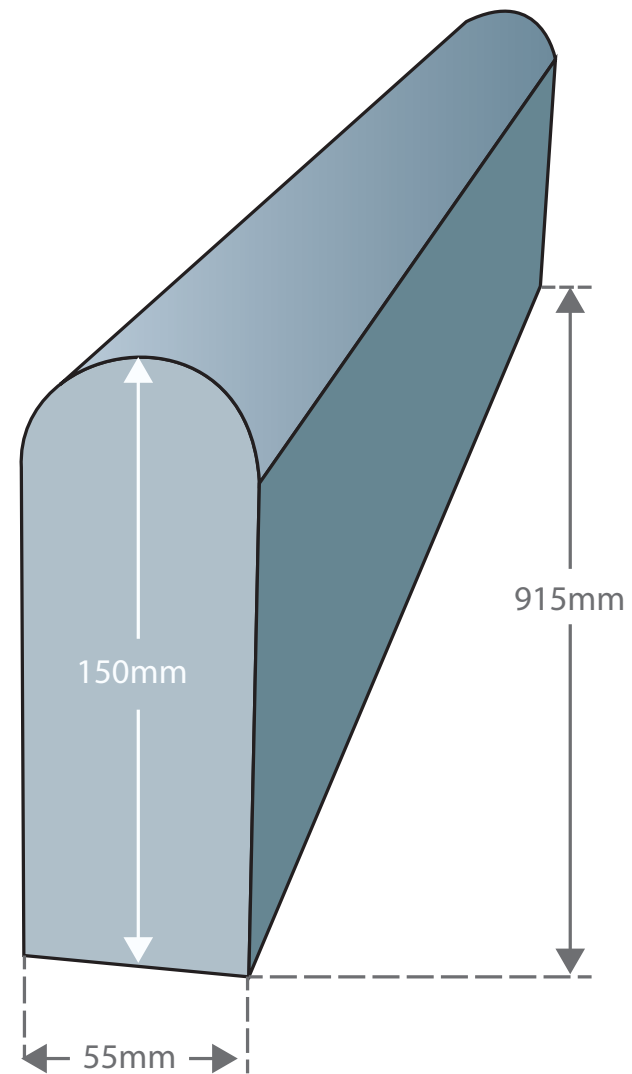
TEL: 065 6829950 | FAX:065 6829052

EMAIL: MARTIN@WCP.IE | WWW.WCP.IE

Garden Edging Kerbs

6" x 2"

(150 x 55 x 915mm)



This drawing is ©. All rights Reserved

Profile, sizes and weights are given as an indication only.

Martin Williams Concrete Products Ltd reserves the right to modify these at any time without notice.

MARTIN WILLIAMS
MW
CONCRETE PRODUCTS LTD

SPANCILHILL, TULLA RD, ENNIS, CO CLARE

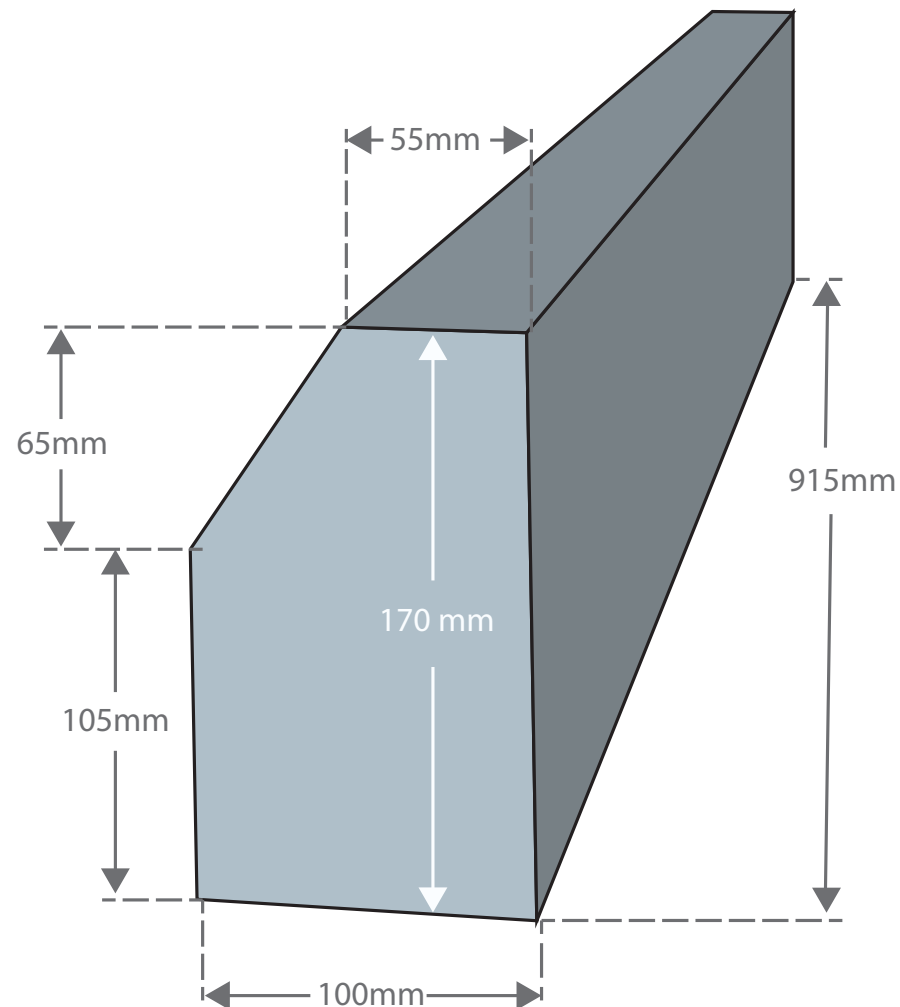
TEL: 065 6829950 | FAX:065 6829052

EMAIL: MARTIN@WCP.IE | WWW.WCP.IE

Driveway Kerb

7" x 4"

(170 x 100 x 915mm)



This drawing is ©. All rights Reserved

Profile, sizes and weights are given as an indication only.

Martin Williams Concrete Products Ltd reserves the right to modify these at any time without notice.

MARTIN WILLIAMS
MW
CONCRETE PRODUCTS LTD

SPANCILHILL, TULLA RD, ENNIS, CO CLARE

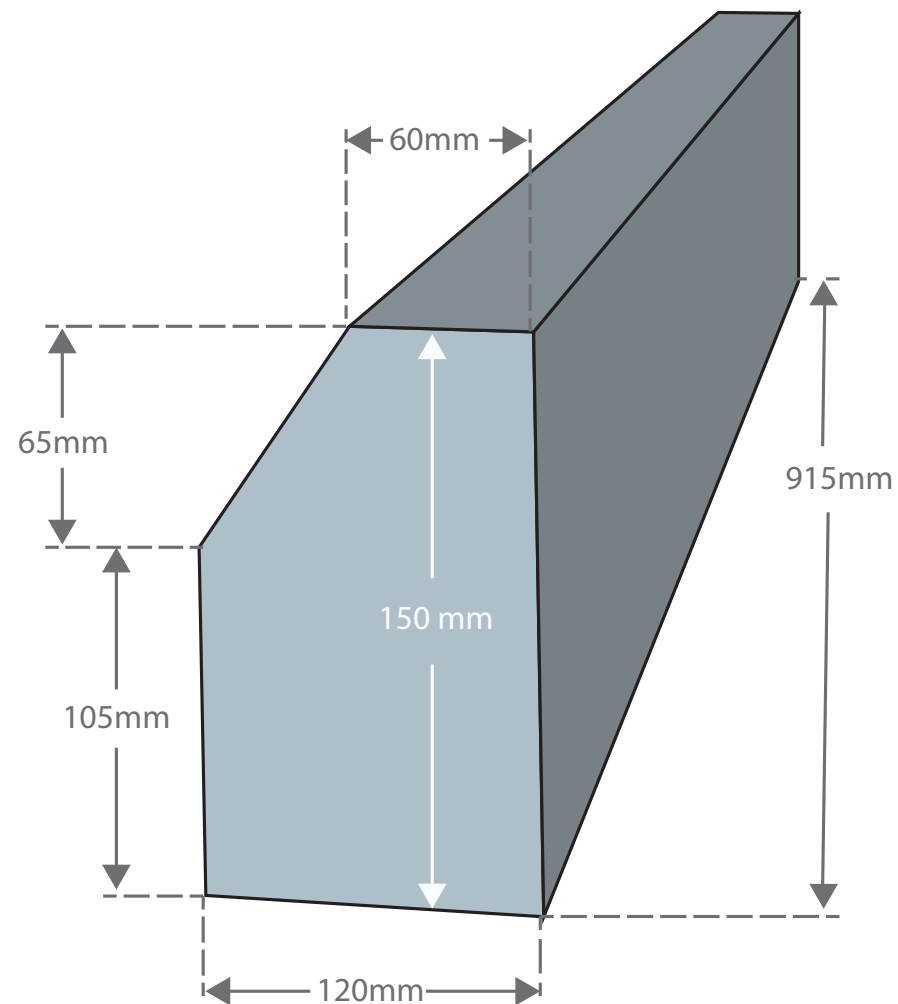
TEL: 065 6829950 | FAX:065 6829052

EMAIL: MARTIN@WCP.IE | WWW.WCP.IE

Driveway Kerb

6" x 4"

(150 x 120 x 915mm)



This drawing is ©. All rights Reserved

Profile, sizes and weights are given as an indication only.

Martin Williams Concrete Products Ltd reserves the right to modify these at any time without notice.

MARTIN WILLIAMS
MWC
CONCRETE PRODUCTS LTD

SPANCILHILL, TULLA RD, ENNIS, CO CLARE

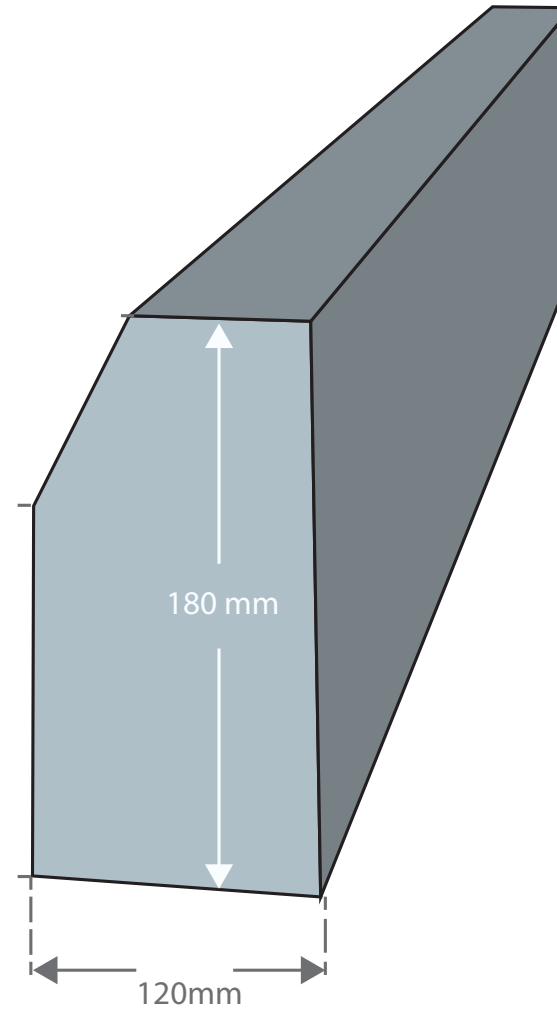
TEL: 065 6829950 | FAX:065 6829052

EMAIL: MARTIN@WCP.IE | WWW.WCP.IE

Pressed Kerb

7" x 5"

(180 x 120 x 915mm)



This drawing is ©. All rights Reserved

Profile, sizes and weights are given as an indication only.

Martin Williams Concrete Products Ltd reserves the right to modify these at any time without notice.

MARTIN WILLIAMS
MW
CONCRETE PRODUCTS LTD

SPANCILHILL, TULLA RD, ENNIS, CO CLARE

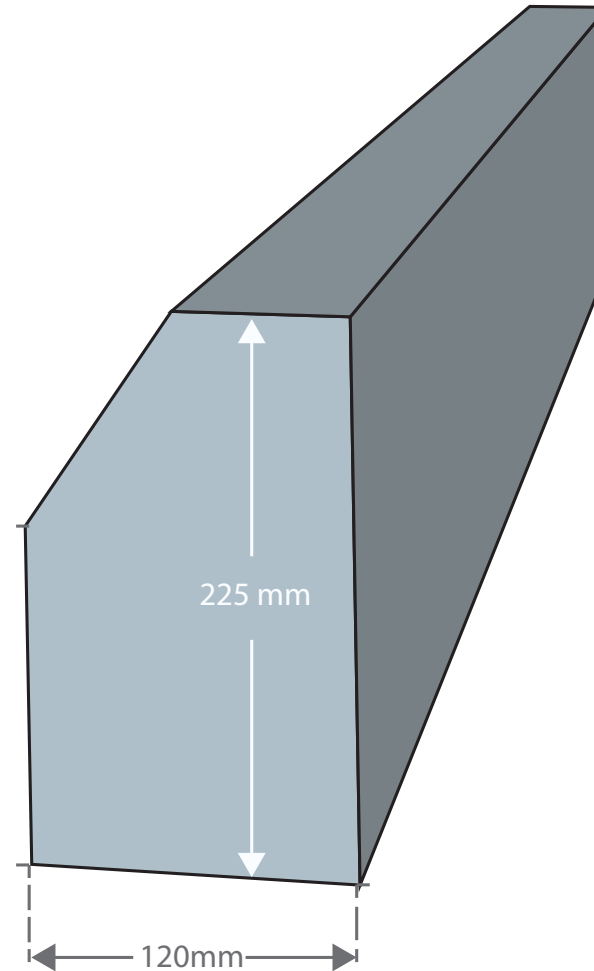
TEL: 065 6829950 | FAX:065 6829052

EMAIL: MARTIN@WCP.IE | WWW.WCP.IE

Pressed Kerb

10" x 5"

(255 x 120 x 915mm)



This drawing is ©. All rights Reserved

Profile, sizes and weights are given as an indication only.

Martin Williams Concrete Products Ltd reserves the right to modify these at any time without notice.